



# CLEAN & CLEAR™ / CLEAN & CLEAR PLUS™ CARTRIDGE FILTER

**INSTALLATION GUIDE / INSTALLATIEHANDLEIDING  
BEDIENUNGSANLEITUNG / GUIDE DE L'INSTALLATION  
GUIA DE INSTALACION / GUIDE ALL'INSTALLAZIONE**



English  
2

Deutsch  
5

Nederlands  
7

Français  
10

Español  
12

Italiano  
15

IMPORTANT SAFETY INSTRUCTIONS READ AND FOLLOW ALL INSTRUCTIONS SAVE THESE INSTRUCTIONS

**Customer Support**

HERENTALS, BELGIUM (8:30 A.M. to 4:30 P.M.) CET

Website: [www.pentairpooleurope.com](http://www.pentairpooleurope.com)

The manufacturer, Pentair, has the right to modify the products without previous notice.

© 2012 Pentair. All rights reserved. This document is subject to change without notice.

Trademarks and disclaimers: Clean & Clear®, Pentair® and High Flow™ are trademarks and/or registered trademarks of Pentair and/or its affiliated companies. Unless noted, names and brands of others that may be used in this document are not used to indicate an affiliation or endorsement between the proprietors of these names and brands and Pentair. Those names and brands may be the trademarks of those parties or others.

## IMPORTANT SAFETY PRECAUTIONS

THESE OPERATING INSTRUCTIONS CONTAIN IMPORTANT INFORMATION ON THE SAFE, PROPER AND ECONOMICAL OPERATION OF THE SWIMMING POOL PUMPS. STRICT OBSERVATION OF THE OPERATING INSTRUCTIONS WILL HELP TO AVOID DANGERS, REDUCE REPAIR COSTS, SHUTDOWN TIMES AND INCREASE THE RELIABILITY AND WORKING LIFE OF THE PRODUCT.

### ENGLISH

#### Section I.

#### FILTER INSTALLATION

1. The filter should be mounted on a level concrete slab. Position the filter so that the instructions, warnings and pressure gauge are visible to the operator. Also, position the filter so that the piping connections, control valve and drain port are convenient and accessible for servicing and winterizing.
2. Install electrical controls (e.g., on/off switches, timers control systems, etc.) at least 2m (5 feet) from the filter. This will allow you enough room to stand clear of the filter during system start up.
3. Provide sufficient clearance around the filter to permit visual verification that the clamp is properly installed.
4. Provide sufficient space above the filter to remove the filter lid for cleaning and servicing. This distance will vary with the model of filter you are using.



**Risk of electrical shock or electrocution. Position the filter and High Flow™ manual air relief valve to safely direct water drainage and purged air or water. Water discharged from an improperly positioned filter or valve can create an electrical hazard that can cause severe personal injury as well as damage property.**

5. When installing the High Flow™ manual air relief valve use the O-ring only, there is no need for thread sealing compounds. Position the filter to safely direct water drainage. Rotate the valve to safely direct purged air or water. Water discharged from an improperly positioned filter or valve can create an electrical hazard as well as damage property.
6. Make all plumbing connections in accordance with local plumbing and building codes. Filter plumbing connections are provided with an O-ring seal. Use only a silicone base lubricant on the O-rings.
7. The base of this filter is provided with two (2) mounting bosses for the purpose of anchoring the filter to the concrete.
8. The maximum working pressure of this filter is 3.5 bar. Never subject this filter to pressure in excess of this amount, even when conducting hydrostatic pressure tests. Pressures above 3.5 bar can cause the lid to be blown off, which can result in severe injury, death or property damage.

When performing hydrostatic pressure tests or when testing for external leaks of the completed filtration and plumbing system, ensure that the Maximum Pressure that the filtration system will be subjected to Does not exceed the maximum working pressure of any of the components contained within the system. In most cases, the maximum pressure will be stated on each component of the system.

If doubt exists as to the pressure to which the system will be subjected, install an ASME approved automatic Pressure Relief or Pressure Regulator in the circulation system for the lowest working pressure of any of the components in the system.

## Section II.

### FILTER OPERATION



This filter operates under high pressure. When any part of the circulating system (e.g., lock ring, pump, filter, valves, etc.) is serviced, air can enter the system and become pressurized. Pressurized air can cause the lid to blow off which can result in severe injury, death, or property damage. To avoid this potential hazard, follow these instructions.

1. Before repositioning valves and before beginning the assembly, disassembly, or adjustment of the locking or any other service of the circulating system: (a) turn the pump off and shut off any automatic controls to assure the system is not inadvertently started during the servicing; (b) open air relief valve; and (c) wait until all pressure is relieved - pressure gauge must read zero (0).
2. Whenever installing the filter lock ring, follow the filter lock ring installation instructions exactly.
3. Once service on the circulating system is complete, follow system restart instructions exactly.
4. Maintain circulation system properly. Replace worn or damaged parts immediately (e.g., lock ring, pressure gauge, relief valve, o rings, etc.)
5. Be sure that the filter is properly mounted and positioned according to the instructions provided.

#### A. GENERAL INFORMATION

1. This filter operates under pressure. When the lock ring is installed properly and operated without air in the water system, this filter will operate in a safe manner.
2. The pressure gauge is the primary indicator of how the filter is operating. Maintain your pressure gauge in good working order.



Your filter is a piece of machinery, do not tamper with it, attempt to disassemble it or otherwise adjust it unless you fully understand its operation. Serious injury or death can occur if the equipment is improperly handled. Consult a pool service professional for maintenance and service assistance.

3. Clean your filter when pressure reads between 0.8 - 1 bar higher than the original starting pressure. Your filter pressure reading will increase as it removes dirt from your pool. However, this buildup of pressure will vary due to different bathing loads, temperature, weather conditions, etc.
  - My original starting pressure is \_\_\_\_\_
  - I should clean the filter cartridges at \_\_\_\_\_.

#### B. LOCK RING INSTALLATION INSTRUCTIONS

These instructions must be followed exactly to prevent the lid from blowing off during system restart or later operation.

1. Perform the following steps before working on any part of the circulating system (e.g., lock ring, pump, filter, valves, etc.).
  - a. Turn the pump off and shut off any automatic controls to ensure that the system is not inadvertently started during servicing.
  - b. Open the High Flow™ manual air relief valve.
  - c. Wait until all pressure is relieved. Never attempt to assemble, disassemble or adjust the filter lock ring while there is any pressure in the filter.



This filter operates under high pressure. When any part of the circulating system (e.g. lock ring, pump, filter, valves, etc.) is serviced, air can enter the system and become pressurized. Pressurized air can cause the lid to be blown off which can result in severe injury, death, or property damage. To avoid this potential hazard, follow these instructions.

2. Be certain the O-ring is in position in the lower tank half. Place the filter lid over the lower tank half, making sure it is fully and firmly seated on the tank half, see Figure 1.
3. Place lock ring over the tank lid, and centering the lock ring on the threads of the tank body. Turn the lock ring clockwise until the safety latches click and the lock ring hits the stops on the body. Do not attempt to over-tighten the lock ring after lock ring has hit the stops on the body.
4. Follow the System Restart Instructions in Section C.

#### C. SYSTEM RESTART INSTRUCTIONS

1. Open the High Flow™ manual air relief valve until it snaps into the full open position (this only requires a quarter turn counter-clockwise).  
Opening this valve rapidly, releases air trapped in the filter.
2. Stand clear of the filter tank, then start the pump.
3. Close the High Flow™ manual air relief valve after a steady stream of water appears.
4. The system is not working properly if either of the following conditions occur.
  - a. A solid stream of water does not appear within 30 seconds, after the pump's inlet basket fills with water.
  - b. The pressure gauge indicates pressure before water outflow appears

If either condition exists, shut off the pump immediately, open valves in the water return line to relieve pressure, and clean the air relief valve. Cleaning the High Flow™ manual air relief valve.

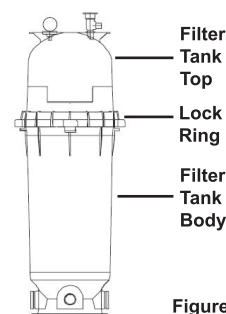


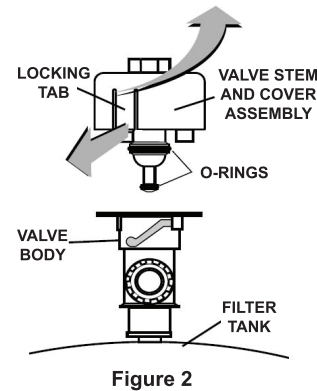
Figure 1.

**D. CLEANING THE FILTER**

1. Turn the pump off, shut off any automatic controls to ensure that the system is not inadvertently started during servicing.
2. Open the filter High Flow™ manual air relief valve, (and the waste drain valve, or cap, if your system has one).
3. Remove hair and lint strainer pot lid and clean basket. Replace basket and secure lid.
4. Disconnect air relief drain hose if installed.
5. Remove locking ring by depressing safety latches on both sides of ring and rotate counterclockwise, then remove tank lid.
6. Remove the element assembly by placing hands in lifting handles and pulling straight up on the element assembly.
7. Remove the cartridge element from the center support tube.
8. Using a garden hose with a nozzle, direct water spray at the cartridge element to dislodge and wash away accumulated foreign matter. Water may be sprayed at the outside as well as the inside of the cartridge element for thorough cleaning.
9. Turn the cartridge element over several times during the washing operation to clean the media thoroughly.
10. Clean and remove debris from inside the filter tank and from the O ring and O-ring groove on the tank body.
11. Replace clean cartridge element on support tube and install assembly into the filter tank body, aligning the arrow on the support tube with the inlet port of the filter, making sure it is fully seated. Make sure the internal air relief screen is attached to the top of the element support tube.
12. Replace the tank lid onto the tank body making sure it is fully and firmly seated on the tank body.
13. Place lock ring over tank lid, and centering the lock ring on the threads of the tank body, turn the lock ring clockwise until the safety latches click and the lock ring hits the stops on the body. Do not attempt to over-tighten the lock ring after lock ring has hit the stops on the body.
14. Replace drain cap and reinstall High Flow™ manual air relief valve drain hose if used.

**E. CLEANING THE HIGH FLOW™ MANUAL AIR RELIEF VALVE**

1. Turn the pump off and shut off any automatic controls to ensure that the system is not inadvertently started during servicing.
2. Open the High Flow™ manual air relief valve until it snaps into the full open position, then wait until all pressure is relieved.
3. With the relief valve attached to the filter tank, pull out the locking tabs and remove the valve stem and cover assembly with a counterclockwise and lifting motion, see Figure 2.
4. Clean debris from the valve stem and body. Verify that the filter tank's air passage is open by inserting a (8mm) drill bit through the valve body.
5. Verify that the O-ring are in good condition, properly positioned, and lubricated with a silicone base lubricant.
6. Reinstall the valve stem and cover assembly with a downward and clockwise motion until it snaps into position.

**Section III.****TROUBLESHOOTING**

- A. Air entering your filter is dangerous and can cause the lid to blow off. Correct any conditions in your filtration system that allow air to enter the system. Some common ways to identify air entering the system:
- ▶ Low water level in pool or spa - skimmer is starving for water with pump running. Add water to pool or spa.
  - ▶ Air bubbles or low water level in pump hair and lint pot are caused by; low water level, clogged skimmer basket, split suction cleaner hose, leak in pump hair and lint pot lid, or leak in pump suction line.
  - ▶ Air bubbles coming out of water return lines into pool or spa with pump running, see above
  - ▶ Air is discharged from the air relief valve on top of the filter when the valve is opened with the pump running, see above.
- B. Until the water initially put into the pool has been completely filtered, short filter cycles in between cleanings are normal. In most cases pool owners are dismayed by the undesirable color and appearance of water in a newly filled pool. Plaster dust can be responsible for short filter cycles, requiring frequent cleaning.
- C. If pressure drops on gauge, check skimmer basket and pump basket first for debris. If the baskets are clean, shut off power to pump and turn off any automatic controls. Then turn motor shaft with your fingers. If it turns freely then the pump must be disassembled and the impeller checked to see if it is clogged. If it is not frozen or clogged then there is an obstruction in the line between the pool and the pump.
- D. The pressure gauge is an important part of the filter system. It is your primary indicator of how the system is operating. Maintain your pressure gauge in good working order. Check the operation of your pressure gauge in the following manner:
- I. The pressure gauge should go to zero (0) when the system is turned off and pressure is relieved.
  - II. The pressure gauge should indicate pressure when the system is operating.
  - III. The pressure gauge should be readable and not damaged in any way.
  - IV. Replace the pressure gauge if it is not meeting the requirements as above.

## FILTEREINBAU

1. Der Filter muss auf einer ebenen Betonplatte montiert werden. Den Filter so positionieren, dass die Anweisungen und Warnhinweise und das Manometer für den Bediener sichtbar sind. Außerdem den Filter so montieren, dass die Leitungsanschlüsse, das Reglerventil und der Ablaufanschluss für die Wintervorbereitung und Servicearbeiten bequem zugänglich sind.
2. Elektrische Bedienelemente (beispielsweise Einschalter, Zeitsteuerungen usw.) mindestens 2 m vom Filter entfernt anordnen. Auf diese Weise ist genug Platz, um bei Inbetriebnahme des Systems vor dem Filter zu stehen.
3. Ausreichend Platz um den Filter vorsehen, damit eine Augenscheinprüfung der richtigen Montage der Klemme durchgeführt werden kann.
4. Über dem Filter ausreichend Platz lassen, damit der Filterdeckel für Reinigungs- und Wartungsarbeiten entfernt werden kann. Dieser Abstand hängt von dem verwendeten Filtermodell ab.



**Gefahr eines elektrischen Schlages oder von Elektrounfällen Filter und High Flow-TM-Druckentlastungsventil so anordnen, dass das Wasser direkt sicher ablaufen kann und Wasser oder Luft austreten können. Wasser, das aus einem falsch angeordneten Filter oder Ventil austritt, kann zu einer elektrischen Gefahr und damit zu schweren Verletzungen sowie Sachschäden führen.**

5. Beim Einbau des High Flow™-Handdruckentlastungsventils nur den Rundring verwenden, das Gewinde muss nicht abgedichtet werden. Den Filter so anordnen, dass das Wasser direkt ablaufen kann. Das Ventil so anordnen, dass die abgelassene Luft bzw. das Wasser direkt entweichen kann. Wasser, das aus einem falsch positionierten Filter oder Ventil austritt, kann zu Elektrounfällen sowie zu Sachschäden führen.
6. Alle Leitungsanschlüsse entsprechend den lokalen Installations- und Bauvorschriften durchführen. Die Filterleitungsanschlüsse sind mit Rundringdichtungen versehen. Für Rundringe nur ein Schmiermittel auf Silikonbasis verwenden.
7. Der Sockel dieses Filters besitzt zwei (2) Montageansätze, damit der Filter im Beton verankert werden kann.
8. Der maximale Arbeitsdruck dieses Filters beträgt 3,5 bar. Den Filter niemals höheren Drücken aussetzen, auch nicht bei der Durchführung hydrostatischer Druckprüfungen. Drücke über 3,5 bar können dazu führen, dass der Deckel abgesprengt wird, was zu schweren Verletzungen, Tod und Sachschäden führen kann.

Bei der Durchführung von hydrostatischen Druckprüfungen oder bei der Prüfung auf externe Leckstellen der kompletten Filter- und Leitungsanlage sicherstellen, dass der maximale Druck, dem das Filtersystem ausgesetzt wird, nicht den maximalen Arbeitsdruck für alle Komponenten im System überschreitet. In den meisten Fällen ist der maximal zulässige Druck auf jeder Komponente des Systems angegeben.

Wenn unklar ist, welchem Druck das System ausgesetzt wird, einen von der ASME zugelassenen automatischen Druckregler oder ein entsprechendes Druckentlastungsventil im Umlaufsystem installieren und dabei als Arbeitsdruck den niedrigsten Arbeitsdruck einstellen, für den eine Komponente im System zugelassen ist.

## Kapitel II.

### FILTERBETRIEB



**Dieser Filter arbeitet unter hohem Druck. Wenn Teile des Umlaufsystems (beispielsweise Sicherungsring, Pumpe, Filter, Ventil usw.) gewartet werden, kann Luft in das System eindringen und unter Druck gesetzt werden. Unter Druck stehende Luft kann dazu führen, dass der Deckel abgesprengt wird, wodurch es zu schweren Verletzungen, Tod oder Sachschäden kommen kann. Um diese Gefahr zu vermeiden, diese Anweisungen einhalten.**

1. **Vor der Neuordnung der Ventile oder vor Beginn der Montage, Demontage oder Einstellung des Sicherungsringes oder anderen Arbeiten am Umlaufsystem: (A) Die Pumpe und die automatischen Steuerungen abschalten, damit das System nicht versehentlich während der Reparaturarbeiten gestartet wird. (B) Das Druckentlastungsventil öffnen und (C) den Druckabfall abwarten. Das Manometer muss 0 anzeigen.**
2. **Beim Einbau des Filter-Sicherungsringes die Einbauanleitung für den Filter-Sicherungsring genau einhalten.**
3. **Wenn die Reparaturarbeiten am Umlaufsystem abgeschlossen sind, die Anweisungen zum Neustart des Systems exakt einhalten.**
4. **Das Umlaufsystem ordnungsgemäß pflegen. Verschlossene oder beschädigte Teile sofort austauschen (beispielsweise Sicherungsring, Manometer, Druckentlastungsventil, Rundringe usw.)**
5. **Der Filter muss ordnungsgemäß montiert und entsprechend den mitgelieferten Anweisungen positioniert sein.**

#### A. ALLGEMEINE INFORMATIONEN

1. Dieser Filter arbeitet unter Druck. Wenn der Sicherungsring richtig eingebaut ist und die Wasseranlage ohne Lufteinschluss betrieben wird, arbeitet dieser Filter sicher.
2. Die wichtigste Anzeige zur Filterfunktion ist das Manometer. Das Manometer in einwandfreiem Zustand halten.
3. Den Filter reinigen, wenn ein Druck angezeigt wird, der 0,8 - 1 Bar über dem Originalanfangsdruck liegt. Die Druckanzeige am Filter steigt, wenn der Filter Schmutz aus dem Schwimmbad zurückhält. Dieser Druckaufbau schwankt jedoch je nach Verschmutzung des Schwimmbads, Temperatur, Klimabedingungen usw.
  - Mein Originalanfangsdruck beträgt \_\_\_\_\_.
  - Die Filterkartuschen sollte ich am \_\_\_\_\_ reinigen.



**Your filter is a piece of machinery, do not tamper with it, attempt to disassemble it or otherwise adjust it unless you fully understand it's operation. Serious injury or death can occur if the equipment is improperly handled. Consult a pool service professional for maintenance and service assistance.**

## B. EINBAUINWEISE FÜR DEN SICHERUNGSRING

Diese Hinweise müssen exakt eingehalten werden, um zu verhindern, dass beim Neustart der Anlage oder beim späteren Betrieb der Deckel abgesprengt wird.

1. Vor dem Beginn von Arbeiten an Teilen des Umlaufsystems (beispielsweise Sicherungsring, Pumpe, Filter, Ventile usw.) die folgenden Schritte ausführen
  - a. Die Pumpe und automatische Steuerungen abschalten, damit das System nicht versehentlich bei Reparaturarbeiten gestartet werden kann.
  - b. Das High Flow™-Handdruckentlastungsventil öffnen
  - c. Den Druckabbau abwarten Den Filter-Sicherungsring niemals anbauen, abbauen oder einstellen, wenn der Filter noch unter Druck steht.



**Gefahr eines elektrischen Schlages oder von Elektrounfällen Filter und High Flow-TM-Druckentlastungsventil so anordnen, dass das Wasser direkt sicher ablaufen kann und Wasser oder Luft austreten können. Wasser, das aus einem falsch angeordneten Filter oder Ventil austritt, kann zu einer elektrischen Gefahr und damit zu schweren Verletzungen sowie Sachschäden führen.**

2. Der Rundring muss sich in der unteren Behälterhälfte befinden. Den Filterdeckel über die untere Behälterhälfte setzen; er muss korrekt und fest wie in Abbildung 1 in der Behälterhälfte sitzen.
3. Den Sicherungsring über den Behälterdeckel platzieren und den Sicherungsring auf das Gewinde des Behälters ausrichten. Den Sicherungsring nach rechts drehen, bis die Sicherheitsarretierungen einrasten und der Sicherungsring an den Anschlägen des Behälters anstößt. Den Sicherungsring nicht weiterdrehen, sobald der Sicherungsring an den Anschlägen des Behälters anstößt.
4. Die Anweisungen zum Systemneustart in Kapitel C einhalten.

## C. ANWEISUNGEN ZUM SYSTEMNEUSTART

1. Das High Flow™-Handdruckentlastungsventil öffnen, bis es in der voll geöffneten Position einrastet (dazu muss es nur eine Vierteldrehung nach links gedreht werden). Wird dieses Ventil schnell geöffnet, wird in dem Filter eingeschlossene Luft freigesetzt.
2. Einen Sicherheitsabstand zum Filterbehälter einhalten und die Pumpe einschalten.
3. Das High Flow™-Handdruckentlastungsventil schließen, sobald ein kontinuierlicher Wasserstrom austritt.
4. Das System arbeitet dann nicht einwandfrei, wenn eine der folgenden Bedingungen eintritt:
  - a. Wenn nach 30 Sekunden noch kein kontinuierlicher Wasserstrom austritt, nachdem der Ansaugkorb der Pumpen mit Wasser gefüllt ist.
  - b. Wenn das Manometer einen Druck anzeigt, noch bevor Wasser austritt.

Wenn eine diese Bedingungen zutrifft, die Pumpe sofort abschalten, die Ventile in der Wasserrücklaufleitung öffnen, um den Druck abzubauen, und das Druckentlastungsventil reinigen. Reinigen des High Flow™-Handdruckentlastungsventils

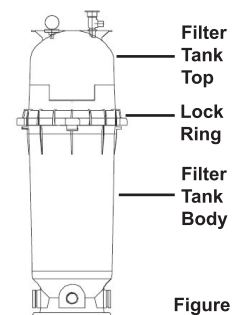


Figure 1.

## D. REINIGEN DES FILTERS

1. Die Pumpe und automatische Steuerungen abschalten, damit das System nicht versehentlich bei Reparaturarbeiten gestartet werden kann.
2. Das High Flow™-Handdruckentlastungsventil des Filters öffnen (ebenso das Ablassventil bzw. die Ablassschraube, wenn vorhanden)
3. Den Vorfilter herausnehmen, in dem sich Fusseln und Haare sammeln, und den Korb reinigen. Den Korb und den Vorfilter wieder einsetzen.
4. Den Ablassschlauch für das Druckentlastungsventil abbauen, sofern vorhanden.
5. Den Sicherungsring durch Herunterdrücken der Sicherheitsarretierungen an beiden Seiten des Rings und Drehung nach links herausnehmen, dann den Behälterdeckel abnehmen.
6. Mit den Händen die Hubgriffe der Elemente erfassen und die Elementbaugruppe gerade nach oben herausziehen.
7. Das Filterelement von dem mittleren Tragrohr abbauen.
8. Mit einem Gartenschlauch mit Düse das Filterelement abspritzen, um abgelagerte Fremdkörper zu lösen und abzuspülen. Das Wasser kann sowohl außen als auch innen in das Filterelement gespritzt werden, um eine gründliche Reinigung zu erreichen.
9. Das Filterelement mehrmals umdrehen, um den Filter gründlich zu reinigen.
10. Ablagerungen aus der Innenseite des Filterbehälters, vom Rundring und nur im Behälter entfernen und diesen reinigen.
11. Das saubere Filterelement wieder auf das Tragrohr setzen und die Baugruppe im Filterbehälter einsetzen. Dabei muss der Pfeil am Tragrohr auf den Einlassanschluss des Filters ausgerichtet sein und alle Teile müssen richtig sitzen. An der Oberseite des Filterelementtragrohrs muss ein interner Luftvorfilter vorhanden sein.
12. Den Behälterdeckel auf den Behälter aufsetzen, er muss vollständig und fest auf dem Behälter sitzen.
13. Den Sicherungsring auf den Behälterdeckel aufsetzen und den Sicherungsring auf das Gewinde des Behälters zentrieren; den Sicherungsring nach rechts drehen, bis die Sicherheitsverriegelungen einrasten und der Sicherungsring an den Anschlägen im Gehäuse anstößt. Den Sicherungsring nicht überdrehen, nachdem der Sicherungsring an den Anschlägen des Behälters anstößt.

## E. REINIGUNG DES HIGH FLOW™-HANDDRUCKENLASTUNGSVENTILS

1. Die Pumpe abschalten und automatische Steuerungen abschalten, damit das System nicht versehentlich bei Reparaturarbeiten gestartet werden kann.
2. Das High Flow™-Handdruckentlastungsventil öffnen, bis es in der voll geöffneten Position einrastet und dann warten, bis der gesamte Druck abgebaut ist.
3. Das Druckentlastungsventil am Filterbehälter anbauen, die Verriegelungsnasen herausziehen und den Ventilstößel und die Abdeckung durch Drehung nach links wie in Abb. 2 herausheben.
4. Ablagerungen vom Ventilstößel und Gehäuse entfernen. Der Luftkanal des Filterbehälters muss Durchgang haben; dazu einen Bohrer 8 mm Durchmesser durch das Ventilgehäuse schieben.
5. Der Rundring muss in einwandfreiem Zustand sein, richtig platziert sein und mit einem Fett auf Silikonbasis geschmiert sein.
6. Den Ventilstößel und die Abdeckung durch Drehung nach rechts wieder aufdrücken, bis er in Position einrastet.

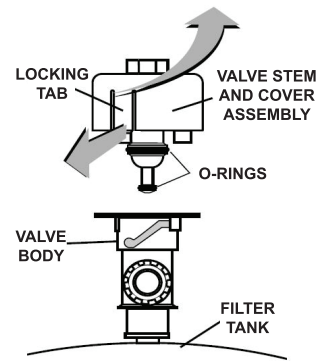


Figure 2

## Kapitel III.

### FEHLERBEHEBUNG

A. Luft im Filter ist eine Gefahr und kann dazu führen, dass der Deckel abgesprengt wird. Alle Mängel im Filtersystem beseitigen, durch die das System Luft ziehen kann. Lufteintritt im System kann meist wie folgt identifiziert werden:

- Niedriger Wasserstand im Schwimmbad oder Becken - der Skimmer erhält nicht genügend Wasser, obwohl die Pumpe läuft. Wasser im Becken auffüllen.
- Luftblasen oder niedriger Wasserstand in dem Pumpenvorfilter für Fusseln und Haare durch: Niedrigen Wasserstand, verstopften Saugkorb, geteilter Saugreinigerschlauch, Leckstelle in dem Pumpenvorfilter für Haare und Fusseln oder Leckstelle in der Pumpenansaugleitung.
- Austritt von Luftblasen in den Wasserrücklaufleitungen zum Becken bei laufender Pumpe, siehe oben
- Luft wird über das Druckentlastungsventil an der Oberseite des Filters entfernt, wenn das Ventil bei laufender Pumpe geöffnet wird, siehe oben

B. Solange das ursprünglich in das Schwimmbecken eingelassene Wasser nicht komplett gefiltert ist, sind kurze Filterzyklen zwischen den Reinigungen normal. Die meisten Schwimmbadbesitzer sind von der Farbe und dem Aussehen des Wassers in einem neu gefüllten Schwimmbecken enttäuscht. Ein Grund für kurze Filterzyklen kann Gipsstaub sein, der häufige Reinigung erfordert.

C. Wenn der Druck am Manometer absinkt, den Skimmerkorb und den Pumpenansaugkorb auf Verunreinigungen kontrollieren. Wenn die Körbe sauber sind, die Pumpe abschalten und alle automatischen Steuerungen ausschalten. Anschließend die Motorwelle mit den Fingern drehen. Wenn sie sich frei dreht, muss die Pumpe zerlegt und das Pumpenrad auf Verstopfung kontrolliert werden. Ist die Pumpe weder eingefroren noch zugesetzt, ist die Leitung zwischen Schwimmbecken und Pumpe verstopft.

D. Das Manometer ist ein wichtiger Teil der Filteranlage. Es ist das Hauptmittel zur Anzeige der Systembetriebs. Das Manometer in einwandfreiem Zustand halten. Die Funktion des Manometers wie folgt kontrollieren:

- I. Das Manometer muss 0 anzeigen, wenn das System abgeschaltet ist und kein Druck anliegt.
- II. Das Manometer sollte Druck anzeigen, wenn das System in Betrieb ist.
- III. Das Manometer muss deutlich ablesbar sein und darf nicht beschädigt sein.
- IV. Das Manometer ersetzen, wenn es die oben erwähnten Forderungen nicht erfüllt.

## NEDERLANDS

### Deel I.

### FILTER INSTALLEREN

1. De filter moet gemonteerd worden op een horizontale betonplaat. Plaats de filter zo dat de instructies, waarschuwingen en drukmeter zichtbaar voor de bediener zijn. Plaats de filter bovendien zo, dat de leidingaansluitingen, afsluitklep en afvoeropening gemakkelijk toegankelijk zijn voor onderhoud en winterklaar maken.
2. Installeer elektrische bedieningen (bijv. aan/uit-schakelaars, tijdsklokbesturingssystemen, etc.) op minstens 2 m (5 voet) van het filter. Hierdoor zult u voldoende ruimte hebben om de filter vrij te laten, terwijl het systeem wordt opgestart.
3. Zorg voor voldoende tussenruimte rond de filter om visueel te kunnen controleren of de klem goed is geïnstalleerd.
4. Zorg voor voldoende tussenruimte boven de filter om het filterafsluitdeksel voor reiniging en onderhoud te kunnen verwijderen. Deze afstand zal variëren met het model van het gebruikte filter.



**Gevaar voor elektrische schok of electrocutie. Plaats de filter en de handmatige High Flow™ ontluchtingsklep om de waterafvoer en gezuiverde lucht of water veilig te richten. Water dat via een verkeerd geplaatste filter of klep wordt afgevoerd, kan ernstig persoonlijk letsel en materiële schade veroorzaken.**

5. Gebruik bij de installatie van de handmatige High Flow™ ontluchtingsklep alleen de O-ring, want de schroefdraad hoeft niet met componenten te worden afgedicht. Plaats de filter om de waterafvoer veilig te richten. Draai de klep om gezuiverde lucht of water te richten. Water dat via een verkeerd geplaatste filter of klep wordt afgevoerd, kan elektrisch gevaar en materiële schade veroorzaken.
6. Sluit alle leidingen aan in overeenstemming met de lokale loodgieters- en bouwvoorschriften. Filterverbindingen van leidingen worden afgedicht met een O-ring. Gebruik op de O-ringen alleen een smeermiddel op siliconenbasis.

7. De basis van deze filter wordt geleverd door twee (2) montagenokken, waarmee de filter wordt verankerd in het beton.
8. De maximale werkdruk van deze filter is 3,5 bar. Stel de filter nooit bloot aan een hogere druk, zelfs als hydrostatische druktesten worden uitgevoerd. Door een druk van meer dan 3,5 bar kan het afsluitdeksel worden weggeblazen, wat ernstig letsel of materiële schade kan veroorzaken of dodelijk kan zijn.

Wanneer er hydrostatische druktesten worden uitgevoerd of wanneer er wordt getest of het voltooide filter- en leidingsysteem niet extern lekt, dient ervoor gezorgd te worden dat de maximale druk, waaraan het filtersysteem zal worden onderworpen, niet de maximale werkdruk van een component binnen het systeem overschrijdt. Meestal zal de maximale druk worden vermeld bij elk component van het systeem.

Als u twijfelt over de druk waaraan het systeem zal worden onderworpen, installeer dan een door ASME goedgekeurde automatische overdruk- of drukregelaar in het circulatiesysteem voor de laagste werkdruk van een component in het systeem.

## Deel II.

### FILTER BEDIENEN



**Deze filter werkt onder hoge druk. Als een onderdeel van het circulatiesysteem (bijv. moerplaatje, pomp, filter, kleppen, etc.) wordt gerepareerd, kan er lucht in het systeem komen en kan er overdruk ontstaan. Door onder druk staande lucht kan het afsluitdeksel worden weggeblazen, wat ernstig letsel of materiële schade kan veroorzaken of dodelijk kan zijn. Houdt u aan deze instructies om dit potentiële gevaar te voorkomen.**

1. Alvorens kleppen terug te zetten en alvorens de afsluitring te monteren, demonteren of af te stellen of ander onderhoud bij het circulatiesysteem uit te voeren: (a) zet de pomp en automatische regelaars uit om te waarborgen dat het systeem niet tijdens het onderhoud onopzettelijk wordt gestart; (b) open de ontluchtingsklep; en (c) wacht tot alle druk is verdwenen - de drukmeter moet nul (0) aangeven.
2. Als u de filter afsluitring installeert, houd u dan exact aan de installatie-instructies.
3. Nadat het onderhoud aan het circulatiesysteem is voltooid, moet u de instructies voor opnieuw starten van het systeem exact opvolgen.
4. Onderhoud het circulatiesysteem naar behoren. Vervang versleten of beschadigde onderdelen onmiddellijk (bijv. moerplaatje, drukmeter, aftapklep, o ringen, etc.)
5. Zorg ervoor dat het filter naar behoren wordt gemonteerd en geplaatst volgens de verschafte instructies.

#### A. ALGEMENE INFORMATIE

1. Deze filter werkt onder druk. Als de filter afsluitring goed is geïnstalleerd en zonder lucht in het watersysteem functioneert, zal deze filter op een veilige manier werken.
2. De drukmeter is de belangrijkste indicator van hoe het filter werkt. Zorg ervoor dat uw drukmeter altijd goed functioneert.
3. Reinig uw filter als de druk 0.8 tot 1 bar hoger staat dan de oorspronkelijke begindruk. De stand van uw filterdruk zal toenemen als het filter vuil uit uw zwembad verwijdert. Deze opbouw van druk zal echter variëren vanwege verschillende badvullingen, temperaturen, weersomstandigheden, etc.

- Mijn oorspronkelijke begindruk is \_\_\_\_\_.
- Ik moet de filterpatronen reinigen bij \_\_\_\_\_.



**Uw filter is een stuk machinerie; knoei er niet mee, probeer het niet te demonteren of anderszins aan te passen, zolang u de werking ervan niet volledig begrijpt. Ernstig letsel of een dodelijk ongeval kan ontstaan als de apparatuur onjuist wordt gehanteerd. Raadpleeg een professionele zwembadmonteur voor hulp bij het onderhoud en reparaties.**

#### B. INSTALLATIE-INSTRUCTIES VOOR FILTER AFSLUITRING

Deze instructies moeten exact worden opgevolgd om te voorkomen dat het afsluitdeksel wordt weggeblazen tijdens een herstart van het systeem of later.

1. Voer de volgende stappen uit alvorens een onderdeel van het circulatiesysteem te bewerken (bijv. afsluitring, pomp, filter, kleppen, etc.).
  - a. Zet de pomp en de automatische regelaars uit om te waarborgen dat het systeem niet onopzettelijk wordt gestart.
  - b. Open de handmatige High Flow™ ontluchtingsklep.
  - c. Wacht tot alle druk is verdwenen. Probeer nooit de afsluitring van de filter te monteren, te demonteren of aan te passen, terwijl er druk in het filter is.



**Deze filter werkt onder hoge druk. Als een onderdeel van het circulatiesysteem (bijv. moerplaatje, pomp, filter, kleppen, etc.) wordt gerepareerd, kan er lucht in het systeem komen en kan er overdruk ontstaan. Door onder druk staande lucht kan het afsluitdeksel worden weggeblazen, wat ernstig letsel of materiële schade kan veroorzaken of dodelijk kan zijn. Houd u aan deze instructies om dit potentiële gevaar te voorkomen.**

2. Controleer of de O-ring in positie is in de onderste helft van de tank. Plaats het filterafsluitdeksel boven de onderste helft van de tank en controleer of het volledig en stevig op de tank is bevestigd (zie afb. 1).
3. Plaats de afsluitring boven het afsluitdeksel van de tank en centreer de afsluitring op de schroefdraden in het hoofddeel van de tank. Draai met de klok mee tot de veiligheidsgrendels klikken en de afsluitring de aanslagen op het hoofddeel raakt. Probeer de afsluitring niet te vast aan te draaien, nadat de afsluitring de aanslagen op het hoofddeel heeft geraakt.
4. Volg de instructies voor het opnieuw starten van het systeem in deel C op.

#### C. INSTRUCTIES VOOR HET OPNIEUW STARTEN VAN HET SYSTEEM

1. Open de handmatige High Flow™ ontluchtingsklep tot deze in de volledig



open stand klikt (draai deze hiervoor een kwartslag tegen de klok in).

Door deze klep snel te openen, komt in het filter gevangen lucht vrij.

2. Ga uit de buurt van de filtertank staan en start de pomp.
3. Sluit de High Flow™ ontluichtingsklep, nadat er een constante stroom water verschijnt.
4. Het systeem werkt niet goed als één van de volgende situaties zich voordoen.
  - a. Er verschijnt niet binnen 30 seconden een constante stroom water, nadat het mandje van de pomp met water is gevuld.
  - b. De drukmeter geeft druk aan, voordat er water uitstroomt.

Als één van deze situaties voorkomt, moet de pomp onmiddellijk worden uitgezet, kleppen in de waterterugvoerleiding worden geopend om de druk te verminderen en de ontluichtingsklep worden gereinigd. De handmatige High Flow™ ontluichtingsklep reinigen.

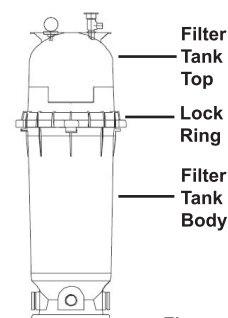


Figure 1.

#### D. REINIGEN VAN DE FILTER

1. Zet de pomp en aut. regelaars uit, om te waarborgen dat het systeem niet per ongeluk wordt gestart tijdens het onderhoud.
2. Open de handmatige High Flow™ ontluichtingsklep van het filter (en de waterafvoerleiding als uw systeem dit heeft).
3. Verwijder haar en pluizen uit het inlaatrooster van het afsluitdeksel en reinig de korf. Zet de korf terug en zet het deksel vast.
4. Maak de ontluichtingsafvoerslang los als deze is geïnstalleerd.
5. Verwijder de afsluitring door de veiligheidsgrendels aan beide kanten van het plaatje in te drukken, draai deze tegen de klok in en verwijder dan het afsluitdeksel van de tank.
6. Verwijder het gemonteerde element door uw handen in de hefhendels te plaatsen en het element recht omhoog te trekken.
7. Verwijder het patroonelement uit de middelste steunbuis.
8. Richt een tuinslang op het patroonelement om het opgehoopte vuil los te maken en weg te spoelen. Het water kan zowel aan de buiten- als binnenkant van het patroonelement worden gesproeid om dit grondig te reinigen.
9. Draai het patroonelement verschillende keren tijdens het afspoelen om het element grondig te reinigen.
10. Reinig en verwijder vuil uit de binnenkant van de filtertank en van de O ring en O-ringgroef op het hoofddeel van de tank.
11. Zet het schone patroonelement terug op de steunbuis en installeer de constructie in het hoofddeel van de filtertank, breng de pijl op de steunbuis in één lijn met de inlaatopening van het filter en controleer of het volledig is bevestigd. Zorg ervoor dat het inwendige ontluichtingsscherm op de bovenkant van de steunbuis van het element is bevestigd.
12. Zet het afsluitdeksel van de tank terug op het hoofddeel van de tank en controleer of het volledig en stevig is bevestigd.
13. Zet de afsluitring boven het afsluitdeksel van de tank en centreer op de schroefdraden van het hoofddeel van de tank, draai de afsluitring met de klok mee tot de veiligheidsgrendels klikken en de aanslagen op het hoofddeel raakt. Probeer de afsluitring niet te vast aan te draaien, nadat de afsluitring de aanslagen op het hoofddeel heeft geraakt.
14. Zet de afvoerleiding terug en installeer opnieuw de afvoerleiding van de High Flow™ ontluichtingsklep als deze wordt gebruikt

#### E. DE HANDMATIGE HIGH FLOW™ ONTLUCHTINGSKLEP REINIGEN

1. Zet de pomp en automatische regelaars uit om te waarborgen dat het systeem niet tijdens het onderhoud onopzettelijk wordt gestart.
2. Open de handmatige High Flow™ ontluichtingsklep tot deze in de volledig open stand klikt, en wacht tot alle druk is verdwenen.
3. Terwijl de ontluichtingsklep op de filtertank is bevestigd, trekt u de sluitbuis naar buiten en verwijdert u de klepsteel en de afdekconstructie met een hefbeweging tegen de klok in (zie afb. 2).
4. Reinig het vuil van de klepsteel en het hoofddeel. Controleer of de luchtdoorgang van de filtertank open is door een (8 mm) boor door het hoofddeel van de klep te steken.
5. Controleer of de O-ring in een goede conditie verkeert, goed is geplaatst en ingevet is met een smeermiddel op siliconenbasis.
6. Installeer opnieuw de klepsteel en afdekconstructie met een neerwaartse beweging naar rechts tot deze in de juiste stand klikt.

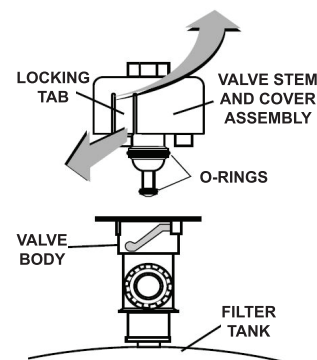


Figure 2

## Deel III.

### PROBLEEMOPLOSSING

A. Het is gevaarlijk als er lucht in uw filter komt, omdat het deksel kan worden weggeblazen. Verbeter de omstandigheden in uw filtersysteem, waardoor er lucht in het systeem kan komen. Een paar gebruikelijke manieren om te herkennen of er lucht in het systeem komt:

- Laag waterpeil in zwembad - skimmer heeft gebrek aan water, terwijl de pomp loopt. Vul water bij in het zwembad.
- Luchtbelletjes of laag waterpeil in de voorfilter van de pomp worden veroorzaakt door; laag waterpeil, verstopt skimmer mandje, gebarsten stofzuigerslang, lek in afsluitdeksel van de voorfilter van pomp of lek in aanzuigleiding van pomp.
- Luchtbellen die uit waterretourleidingen in een zwembad komen, terwijl de pomp loopt: zie hierboven
- Lucht komt vrij uit de ontluichtingsklep op de bovenkant van het filter als de klep is geopend, terwijl de pomp loopt: zie hierboven

B. Zolang het oorspronkelijke water in het zwembad niet volledig is gefilterd, zijn korte filtercycli tussen reinigingen normaal. Meestal zijn zwembadeigenaren onaangenaam verrast door de ongewenste kleur en verschijningsvorm van water in een pas gevuld zwembad. Kalkstof kan verantwoordelijk zijn voor korte filtercycli, wat veelvuldig reinigen vereist.

C. Als de druk op de meter daalt, controleer dan eerst of de korven van de afstriker en pomp vuil zijn. Als de korven schoon zijn, moet u de stroom naar de pomp en alle automatische regelaars uitzetten. Draai dan de motoras met uw vingers. Als deze vrij draait, dan moet de pomp worden gedemonteerd en de rotor worden gecontroleerd om te zien of deze verstopt is. Als deze niet bevroren of verstopt is, dan zit er een obstakel in de leiding tussen het zwembad en de pomp.

D. De drukmeter is een belangrijk onderdeel van het filtersysteem. Deze is uw belangrijkste indicator van hoe het systeem werkt. Zorg

ervoor dat uw drukmeter altijd goed functioneert. Controleer de werking van uw drukmeter op de volgende manier:

- I. De drukmeter moet naar nul (0) gaan als het systeem is uitgezet en de druk vrijkomt.
- II. De drukmeter moet druk aangeven als het systeem werkt.
- III. De drukmeter moet kunnen worden afgelezen en mag op geen enkele manier beschadigd zijn.
- IV. Vervang de drukmeter als deze niet voldoet aan bovenstaande eisen

## FRANCAIS

### Section I.

#### INSTALLATION DU FILTRE

1. Le filtre doit être monté sur une dalle en béton surélevée. Placez le filtre de façon à ce que les instructions, les avertissements et le manomètre soient visibles par l'opérateur. Placez également le filtre de façon à ce que les raccords de conduits, la soupape de commande et l'orifice de purge soient adéquats et accessibles pour la maintenance et l'hivernage.
2. Installez les commandes électriques (par ex. : interrupteurs marche/arrêt, systèmes de commande temporisée, etc.) à un minimum de 2 mètres (5 pieds) du filtre. Cela vous assurera assez d'espace pour vous tenir à distance du filtre pendant le démarrage du système.
3. Laissez assez de jeu autour du filtre pour pouvoir vérifier visuellement que le collier est correctement placé.



**Risque de choc électrique ou d'électrocution. Placez le filtre et la soupape de surpression manuelle High Flow™ pour que l'orientation de la purge d'eau et d'air se fasse sans risque. L'eau découlant d'un filtre ou d'une soupape placée de façon inappropriée peut générer un danger électrique et causer des blessures personnelles graves ainsi qu'un endommagement du matériel.**

4. Prévoyez assez d'espace au dessus du filtre pour retirer le couvercle du filtre pour le nettoyage et la maintenance. Cette distance varie en fonction du modèle de filtre utilisé.
  5. Lors de l'installation de la soupape de surpression manuelle High Flow™, utilisez uniquement le joint torique : il n'est nul besoin d'utiliser des composés d'étanchéité à filetage. Placez le filtre de façon à orienter sans risque la purge de l'eau. Tournez la soupape de façon à orienter la purge d'eau ou d'air sans risque. L'eau découlant d'un filtre ou d'une soupape orientée de façon incorrecte peut générer des dangers d'ordre électrique et endommager le matériel.
  6. Procédez aux raccordements des conduits selon les codes locaux de plomberie et de construction. Les raccordements des conduits du filtre sont fournis avec un joint torique. Utilisez uniquement un lubrifiant à base de silicone sur les joints toriques.
  7. La base de ce filtre est fournie avec deux (2) bossages de fixation servant à ancrer le filtre dans le béton.
  8. La pression maximale de fonctionnement de ce filtre est de 3,5 bars. Ne soumettez jamais ce filtre à une pression supérieure, y compris lors des tests de pression hydrostatique. Des pressions supérieures à 3,5 bars peuvent faire sauter le couvercle, ce qui peut engendrer des blessures graves, la mort ou l'endommagement du matériel.
- Lors de la conduite de tests de pression hydrostatique ou tests de fuite externe du système de filtration et de plomberie entièrement monté, assurez-vous que la pression maximale à laquelle sera soumis le système de filtration ne dépasse pas la pression maximale de fonctionnement des composants présents dans le système. Dans la plupart des cas, la pression maximale sera indiquée sur chacun des composants du système.
- S'il existe un doute sur la pression à laquelle le système sera soumis, installez une soupape de surpression ou un régulateur de pression automatique homologué ASME dans le système de circulation pour obtenir la pression minimale de fonctionnement des composants du système.

### Section II.

#### FONCTIONNEMENT DU FILTRE



**Ce filtre fonctionne sous haute pression. Lorsqu'une partie du système de circulation (par ex. : bague d'arrêt, pompe, filtre, soupapes, etc.) Est mise en service, de l'air peut entrer dans le système et se pressuriser. De l'air pressurisé peut faire sauter le couvercle et engendrer des blessures graves, la mort ou un endommagement du matériel. Pour éviter ce danger potentiel, suivez les instructions suivantes.**

- 1 **Avant de remettre en place les soupapes et avant de commencer le montage, le démontage ou le réglage de la bague d'arrêt ou de procéder à tout autre tâche de maintenance du système de circulation : (a) éteignez la pompe et mettez les commandes automatiques hors tension pour vous assurer que le système ne sera pas démarré par inadvertance pendant la maintenance ; (b) ouvrez la soupape de surpression ; et (c) attendez que toute la pression soit relâchée - le manomètre doit afficher zéro (0).**
- 2 **Lors de l'installation de la bague d'arrêt du filtre, suivez toujours exactement la notice d'installation de la bague d'arrêt du filtre.**
- 3 **Une fois la maintenance du système de circulation effectuée, suivez exactement les instructions de remise en route.**
- 4 **Entretenez de façon appropriée le système de circulation. Remplacez immédiatement les parties usées ou endommagées (par ex.: bague d'arrêt, manomètre, soupape de surpression, joints toriques, etc.)**
- 5 **Assurez-vous que le filtre est monté et placé correctement et conformément aux instructions fournies.**

#### A. INFORMATION GÉNÉRALE

1. Ce filtre fonctionne sous pression. Lorsque la bague d'arrêt est installée correctement et mise en service sans air dans le système d'eau, ce filtre fonctionne en toute sécurité.
2. Le manomètre est l'indicateur principal de la façon dont fonctionne le filtre. Assurez un entretien correct du manomètre.
3. Nettoyez le filtre lorsque le manomètre indique entre 0.8 - 1 bars de plus que la pression d'amorçage d'origine. L'indication de la pression du filtre augmente à mesure qu'il évacue des déchets du bassin. Cependant, cette augmentation de pression

varie en fonction du nombre de baigneurs, de la température, des conditions climatiques, etc.

- Ma pression de d'amorçage d'origine \_\_\_\_\_
- Je dois nettoyer les cartouches de filtre à \_\_\_\_\_.



**Uw filter is een stuk machinerie; knoei er niet mee, probeer het niet te demonteren of anderszins aan te passen, zolang u de werking ervan niet volledig begrijpt. Ernstig letsel of een dodelijk ongeval kan ontstaan als de apparatuur onjuist wordt gehanteerd. Raadpleeg een professionele zwembadmonteur voor hulp bij het onderhoud en reparaties.**

## B. INSTRUCTIONS D'INSTALLATION DE LA BAGUE D'ARRÊT

Ces instructions doivent être exactement suivies pour empêcher le couvercle de sauter pendant le redémarrage du système ou un fonctionnement ultérieur.

1. Procédez aux étapes suivantes avant de travailler sur une partie du système de circulation (par ex. : bague d'arrêt, pompe, filtre, soupapes, etc.).
  - a. Éteignez la pompe et mettez les commandes automatiques hors tension pour vous assurer que le système ne sera pas démarré par inadvertance pendant la maintenance.
  - b. Ouvrez la soupape de surpression manuelle High Flow™.
  - c. Attendez que toute la pression soit relâchée. N'essayez jamais de monter, de démonter ou de régler la bague d'arrêt du filtre si celui-ci est sous pression.



**Ce filtre fonctionne sous haute pression. Lors de l'entretien de toute pièce du système de circulation (par ex. : bague d'arrêt, pompe, filtre, soupapes, etc.) de l'air peut entrer dans le système et se pressuriser. De l'air pressurisé peut faire sauter le couvercle et engendrer des blessures graves, la mort ou un endommagement du matériel. Pour éviter ce danger potentiel, suivez les instructions suivantes.**

2. Assurez-vous que le joint torique est en position dans la moitié inférieure du réservoir. Placez le couvercle du filtre sur la moitié inférieure du réservoir en vous assurant qu'il est complètement et fermement placé sur le réservoir. Voir Figure 1.
3. Placez la bague d'arrêt sur le couvercle du réservoir en la centrant sur les filetages du corps du réservoir. Tournez la bague d'arrêt dans le sens horaire jusqu'à ce que les cliquets de sécurité émettent un clic et que la bague d'arrêt soit en contact avec les arrêts présents sur le corps du réservoir. N'essayez pas de survisser la bague d'arrêt une fois qu'elle est en contact avec les arrêts présents sur le corps du réservoir.
4. Suivez les instructions de redémarrage du système de la Section C.

## C. INSTRUCTIONS DE REDÉMARRAGE DU SYSTÈME

1. Ouvrez la soupape de surpression manuelle High Flow™ jusqu'à ce qu'elle se trouve dans sa position ouverte optimale (cela ne requiert qu'un quart de tour dans le sens anti-horaire). Ouvrir cette soupape rapidement fait sortir l'air contenu dans le filtre.
2. Tenez-vous à distance du réservoir du filtre puis démarrez la pompe.
3. Fermez la soupape de surpression manuelle High Flow™ après l'apparition d'une vapeur d'eau régulière.
4. Le système ne fonctionne pas correctement si l'une des conditions suivantes se produit.
  - a. Une vapeur d'eau solide n'apparaît pas dans un délai de 30 secondes une fois le panier d'entrée de la pompe rempli d'eau.
  - b. Le manomètre indique la pression avant que le débit d'eau n'apparaisse.

Si l'une de ces conditions est détectée, éteignez immédiatement la pompe, ouvrez les soupapes de la ligne de retour d'eau pour évacuer la pression et nettoyez la soupape de surpression. Nettoyage de la soupape de surpression manuelle High Flow™.

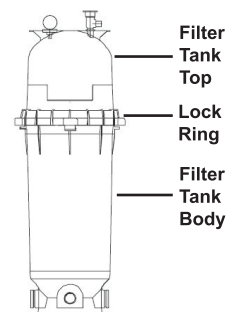


Figure 1.

## D. NETTOYAGE DU FILTRE

1. Éteignez la pompe et mettez les commandes automatiques hors tension pour vous assurer que le système ne sera pas démarré par inadvertance pendant la maintenance.
2. Ouvrez la soupape de surpression manuelle High Flow™ (et la soupape de purge ou l'embout, si votre système en est doté).
3. Retirez le couvercle de l'écumoire à cheveux et à charpie et nettoyez le panier. Remplacez le panier et fixez le couvercle.
4. Déconnectez le tuyau flexible de purge d'air si installé.
5. Retirez la bague d'arrêt en défaisant les cliquets de sécurité de chaque côté et tournez-la dans le sens anti-horaire puis retirez le couvercle du réservoir.
6. Retirez l'ensemble des éléments en plaçant les mains dans les poignées de levage et en tirant l'ensemble vers le haut.
7. Retirez la cartouche du tube de soutien central.
8. Avec un tuyau flexible d'arrosage doté d'un embout, dirigez le jet d'eau vers la cartouche pour déloger et nettoyer la matière étrangère accumulée. L'eau doit être pulvérisée vers l'extérieur et l'intérieur de la cartouche pour un nettoyage complet.
9. Faites tourner la cartouche sur elle-même plusieurs fois pendant le nettoyage pour la nettoyer complètement.
10. Nettoyez et retirez les débris depuis l'intérieur du réservoir et depuis le joint torique et la rainure sur le corps du réservoir.
11. Remplacez la cartouche propre sur le tube de soutien et installez l'ensemble dans le corps du réservoir du filtre en alignant la flèche sur le tube de soutien et le port d'entrée du filtre, en vous assurant qu'il est complètement placé. Assurez-vous que l'écran interne d'évacuation d'air est fixé à la partie supérieure du tube de soutien.
12. Remplacez le couvercle du réservoir sur le corps en vous assurant qu'il est fermement placé sur le corps du réservoir.
13. Placez la bague d'arrêt sur le couvercle du réservoir en la centrant sur les filetages du corps du réservoir, tournez la bague d'arrêt dans le sens horaire jusqu'à ce que les cliquets de sécurité émettent un clic et que la bague d'arrêt soit en contact avec les arrêts présents sur le corps du réservoir. N'essayez pas de survisser la bague d'arrêt une fois qu'elle est entrée en

contact avec les arrêts présents sur le corps du réservoir.

14. Remplacez l'embout de purge et réinstallez le tuyau flexible de purge de la soupape de surpression High Flow™ s'il est utilisé.

#### E. NETTOYAGE DE LA SOUPAPE DE SURPRESSION MANUELLE HIGH FLOW™

1. Éteignez la pompe et mettez les comm. automatiques hors tension pour vous assurer que le système ne sera pas démarré par inadvertance pendant la maintenance.
2. Ouvrez la soupape de surpression manuelle high flow™ jusqu'à ce qu'elle soit dans sa position ouverte optimale puis attendez que toute la pression soit relâchée.
3. Avec la soupape de surpression fixée au réservoir du filtre, tirez les languettes d'arrêt et retirez la queue de soupape ainsi que le couvercle avec un mouvement de rotation anti-horaire et de levage. Voir la figure 2.
4. Nettoyez les débris de la queue de soupape et du corps. Vérifiez que le passage d'air du réservoir du filtre est ouvert en insérant un foret de 8 mm dans le corps de la soupape.
5. Vérifiez que le joint torique est en bon état, qu'il est positionné correctement et lubrifié avec un lubrifiant à base de silicone.
6. Réinstallez la queue de soupape et le couvercle avec un mouvement vers le bas dans le sens horaire jusqu'à ce qu'il soit en position.

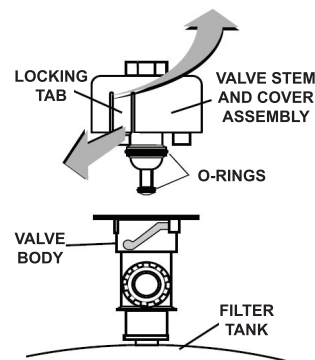


Figure 2

### Section III.

#### RÉSOLUTION DE PROBLÈME

A. L'entrée d'air dans le filtre représente un danger et peut faire sauter le couvercle. Corrigez toutes les conditions de votre système de filtration qui laissent entrer de l'air dans le système. Quelques façons générales d'identifier l'entrée d'air dans le système

- ▶ Un niveau d'eau bas: l'écumoire a besoin d'eau lorsque la pompe fonctionne. Ajoutez de l'eau dans le bassin.
- ▶ Des bulles d'air sont dues à : niveau d'eau bas, panier de l'écumoire bouché, tuyau flexible d'aspiration fendu, fuite du couvercle du filtre à cheveux et à charpie de la pompe ou fuite de la ligne d'aspiration de la pompe.
- ▶ Bulles d'air sortant des lignes de retour d'eau du bassin lorsque la pompe fonctionne, voir ci-dessus.
- ▶ L'air est évacué de la soupape de surpression en haut du filtre lorsque la soupape est ouverte et la pompe en fonctionnement, voir ci-dessus.

B. Jusqu'à ce que l'eau initialement mise dans le bassin soit complètement filtrée, des cycles de filtrage courts entre les nettoyages sont normaux. Dans la plupart des cas, les propriétaires de piscines sont consternés par la couleur et l'apparence indésirables de l'eau dans un bassin récemment rempli. De la poussière de plâtre peut être à l'origine de cycles de filtrage courts et rendre nécessaire des nettoyages fréquents.

C. Si la pression chute à l'écran du manomètre, vérifiez d'abord les paniers (skimmer et pompe) pour vous assurer qu'ils ne contiennent pas de débris. Si les paniers sont propres, éteignez la pompe et mettez les commandes automatiques hors tension. Tournez ensuite l'arbre du moteur avec vos doigts. S'il tourne librement, la pompe doit alors être démontée et la turbine contrôlée pour voir si elle est bouchée. Si elle n'est pas gelée ou bouchée, il y a une obstruction au niveau de la ligne entre pompe et bassin.

D. Le manomètre est une partie importante du système de filtration. C'est l'indicateur principal du fonctionnement du système. Assurez un entretien correct du manomètre. Vérifiez le fonctionnement du manomètre de la façon suivante :

- I. Le manomètre doit passer à zéro (0) lorsque le système est éteint et la pression relâchée.
- II. Le manomètre doit indiquer la pression lorsque le système fonctionne.
- III. Le manomètre doit être lisible et ne doit jamais être endommagé, de quelque façon que ce soit.
- IV. Remplacez le manomètre s'il ne satisfait pas aux exigences énumérées ci-dessus.

### ESPAÑOL

#### Sección I.

#### INSTALACIÓN DEL FILTRO

1. El filtro debe montarse sobre una placa de hormigón nivelada. Posicione el filtro de tal forma que las instrucciones, las advertencias y el manómetro estén visibles para el usuario. Coloque también el filtro de manera que las conexiones de las tuberías, de la válvula de control y la conexión de drenaje sean accesibles para realizar el mantenimiento y la protección para el invierno.
2. Instale los controles eléctricos (p. ej.: interruptores, temporizadores, sistemas de control, etc.), como mínimo, a 2 m de distancia del filtro. Esto le permitirá disponer del suficiente espacio para mantenerse apartado del filtro durante el arranque del sistema.
3. Disponga del suficiente espacio alrededor del filtro para poder verificar visualmente que la abrazadera se encuentra correctamente instalada.
4. Disponga del suficiente espacio por encima del filtro para retirar la tapa del filtro y facilitar los trabajos de limpieza y de mantenimiento. Esta distancia variará en función del modelo de filtro que utilice.



**Riesgo de descarga eléctrica o electrocución. Posicione el filtro y la válvula manual de alivio de aire High Flow™ dirigiendo a un lugar seguro el agua de drenaje y el aire o agua purgados. El agua descargada de un filtro o válvula que no estén correctamente posicionados puede suponer un riesgo eléctrico pudiendo causar serios daños personales e, incluso, daños materiales.**

5. Cuando instale la válvula manual de alivio de aire High Flow™ utilice solamente la junta tórica; no se requiere utilizar com puestos para el sellado de roscas. Posicione el filtro de forma que se pueda dirigir con seguridad el agua de drenaje. Gire la válvula de forma que se pueda dirigir con seguridad el aire o el agua purgada. El agua descargada de un filtro o válvula que no estén correctamente posicionados puede suponer un riesgo eléctrico así como un peligro de daños materiales.
6. Realice todas las conexiones hidráulicas de acuerdo con los correspondientes códigos locales para trabajos de fontanería y de la construcción. Las conexiones hidráulicas del filtro cuentan con una junta tórica. Utilice con las juntas tóricas solamente lubricante a base de silicona.
7. La base de este filtro cuenta con dos (2) salientes para montaje para anclar el filtro al hormigón.
8. La presión máxima de trabajo de este filtro es de 3,5 bar. No someta nunca al filtro a presiones superiores a este valor, tampoco aunque se estén realizando ensayos de presión hidrostática. Las presiones superiores a los 3,5 bar pueden hacer que estalle la tapa, pudiendo causar serios daños personales, la muerte o daños materiales.

Cuando realice ensayos de presión hidrostática o cuando se estén comprobando fugas externas de todo el sistema de filtración e hidráulico, garantice que la presión máxima a la que se va a someter a todo el sistema de filtración no excede la presión máxima de trabajo de ninguno de los componentes incluidos dentro del sistema. En la mayoría de los casos, se establecerá la presión máxima para cada uno de los componentes del sistema.

En caso de haber cualquier duda respecto a la presión a la que se debe someter el sistema, instale una válvula de alivio automática con homologación ASME o un regulador de presión en el sistema de circulación para la presión más baja de cualquiera de los componentes del sistema.

## Sección II.

### FUNCIONAMIENTO DEL FILTRO



**Este filtro funciona a alta presión. Al realizar el mantenimiento de cualquiera de los componentes del circuito (p. ej.: anillo de cierre, bomba, filtro, válvulas, etc.), puede entrar aire en el sistema y presurizarse. El aire presurizado puede hacer estallar la tapa, lo que puede causar serios daños personales, la muerte o daños materiales. Para evitar este potencial peligro, siga estas instrucciones.**

1. Antes de reposicionar las válvulas y antes de comenzar el montaje, desmontaje o ajuste del anillo de cierre o de cualquier otro servicio del circuito: (a) apague la bomba y desconecte cualquier control automático para garantizar que no se arranca el sistema inadvertidamente durante los trabajos de mantenimiento; (b) abra la válvula de alivio de aire; y (c) espere hasta que se alivie toda la presión; el manómetro debe indicar (0).
2. Cada vez que instale el anillo de cierre del filtro, siga exactamente las instrucciones de instalación del anillo de cierre del filtro.
3. Una vez completados los trabajos de mantenimiento en el circuito, siga exactamente las instrucciones de arranque del sistema.
4. Mantenga el circuito en condiciones apropiadas. Sustituya de inmediato las piezas desgastadas o dañadas (p. ej.: anillo de cierre, manómetro, válvula de alivio, juntas tóricas, etc.)
5. Asegúrese de que el filtro se encuentra correctamente montado y posicionado de acuerdo con las instrucciones proporcionadas.

#### A. INFORMACIÓN GENERAL

1. Este filtro funciona bajo presión. Cuando el anillo de cierre se encuentra instalado adecuadamente y no hay aire en el sistema de agua, el funcionamiento de este filtro será seguro.
2. El manómetro es el indicador principal de cómo está funcionando el filtro. Mantenga su manómetro en buenas condiciones.
3. Limpie su filtro cuando las lecturas de presión sean entre 0.8 - 1 bar superiores a la presión dada originalmente. La presión de su filtro irá aumentando según este vaya retirando la suciedad de su piscina. Sin embargo, este aumento de la presión varía en función de la intensidad con la que se use la piscina, de la temperatura, de las condiciones meteorológicas, etc.
  - Mi presión original al inicio es \_\_\_\_\_.
  - Debería limpiar los cartuchos del filtro el \_\_\_\_\_.



**Il filtro è un elemento meccanico: non manometterlo, non tentare di smontarlo né di regolarlo altrimenti, a meno che non se comprenda pienamente il funzionamento. La scorretta manipolazione dell'attrezzatura può essere causa di lesioni gravi o morte. Rivolgersi ad un tecnico specializzato nella manutenzione di piscine per ottenere assistenza nella manutenzione.**

#### B. INSTRUCCIONES DE INSTALACIÓN DEL ANILLO DE CIERRE

Estas instrucciones se deben cumplir exactamente para evitar que la tapa reviente durante el arranque del sistema o durante una operación posterior.

1. Realice los siguientes pasos antes de ponerse a trabajar con cualquier componente del circuito (p. ej.: anillo de cierre, bomba, filtro, válvulas, etc.).
  - a. Apague la bomba y desconecte cualquier control automático para garantizar que el sistema no se pone en marcha inadvertidamente durante el mantenimiento.
  - b. Abra la válvula manual de alivio de aire High Flow™.
  - c. Espere hasta que se alivie toda la presión. No intente jamás montar, desmontar ni ajustar el anillo de cierre del filtro si aún hay presión en el filtro.



**Il filtro funziona ad alta pressione. quando si sottopongono a manutenzione gli elementi del sistema di ricircolo (ad es. anello di chiusura, pompa, filtro, valvole, ecc.), l'aria può entrare nel sistema e pressurizzarsi. l'aria pressurizzata può far saltare il coperchio causando lesioni gravi, morte o danni materiali. per evitare questo rischio potenziale, seguire queste istruzioni.**

2. Asegúrese de que la junta tórica está correctamente posicionada en la mitad inferior del tanque. Coloque la tapa del filtro sobre la mitad inferior del tanque, asegurándose que se encuentra total y firmemente asentada sobre la mitad inferior del tanque, véase la figura 1.
3. Coloque el anillo de cierre sobre la tapa del tanque y céntrelo sobre la rosca del cuerpo del tanque. Gire el anillo de seguridad en sentido horario hasta que los pestillos de seguridad hagan clic y el anillo de cierre toque los toques del cuerpo. No intente forzar el anillo de cierre después de que este haya tocado los toques del cuerpo
4. Siga las instrucciones de arranque del sistema en la sección C.

#### C. INSTRUCCIONES DE ARRANQUE DEL SISTEMA

1. Abra la válvula de alivio manual de aire High Flow™ hasta que encaje en la posición totalmente abierta (esto sólo requiere girar un cuarto de vuelta en sentido antihorario). Al abrir esta válvula rápidamente se libera el aire atrapado en el filtro.
2. Apártese del tanque del filtro, después, arranque la bomba.
3. Cierre la válvula de alivio manual de aire High Flow™ después de que aparezca un flujo constante de agua.
4. El sistema no funciona correctamente si se da cualquiera de las siguientes condiciones.
  - a. No aparece un flujo sólido de agua durante los 30 segundos posteriores a que el cestillo de entrada de la bomba se llena de agua.
  - b. El manómetro indica presión antes de que aparezca la descarga de agua.

Si se da cualquiera de las condiciones, apague la bomba de inmediato, abra las válvulas de la línea de retorno del agua para aliviar la presión y limpie la válvula de alivio de aire. Limpieza de la válvula de alivio de aire manual High Flow™.

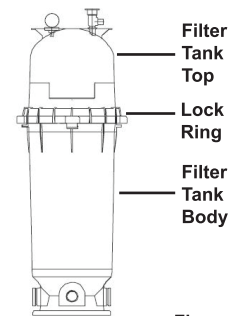


Figure 1.

#### D. LIMPIEZA DEL FILTRO

1. Apague la bomba y desconecte cualquier control autoático para garantizar que el sistema no se pone en marcha inadvertidamente durante el mantenimiento.
2. Abra el filtro de la válvula manual de alivio de aire High Flow™, (y la válvula de drenaje en caso de que su sistema posea una).
3. Retire la tapa del filtro de pelos y pelusas y limpie el cestillo. Vuelva a colocar el cestillo y asegure la tapa.
4. Desconecte la manguera de drenaje del alivio de aire, en caso de estar instalada.
5. Retire el anillo de cierre presionando los pestillos de seguridad por ambos lados del anillo y girando en sentido antihorario, después, retire la tapa del tanque.
6. Retire el conjunto del elemento las asas de levantar y tirando del conjunto del elemento directamente hacia arriba.
7. Retire el cartucho del tubo central de soporte.
8. Utilizando una manguera con boquilla, dirija el chorro de agua sobre el elemento del cartucho para soltar y eliminar cualquier suciedad acumulada. Se puede aplicar el chorro de agua tanto en el interior como en el exterior del elemento de cartucho para conseguir una mayor limpieza.
9. Dé la vuelta al elemento de cartucho varias veces durante la operación de lavado para limpiar bien el soporte.
10. Limpie y elimine cualquier resto de suciedad del interior del tanque del filtro y de la junta tórica, así como de la ranura de alojamiento para la junta tórica del cuerpo del tanque.
11. Vuelva a colocar el elemento de cartucho en el tubo de soporte e instale el conjunto dentro del cuerpo del tanque del filtro, alineando la flecha sobre el tubo de soporte con la conexión interna del filtro, asegurando que quede totalmente asentado. Asegúrese de que el filtro del alivio de aire interno se encuentra unido a la parte superior del tubo de soporte del elemento.
12. Vuelva a colocar la tapa del tanque sobre el cuerpo del tanque asegurándose que quede firmemente asentada sobre.
13. Coloque el anillo de cierre sobre la tapa del tanque y centrando el anillo de cierre sobre el roscado del cuerpo del tanque gire el anillo de cierre en sentido horario hasta que los pestillos de seguridad hagan clic y en anillo de cierre llegue a los toques del cuerpo. No intente forzar el anillo de cierre después de que este haya tocado los toques del cuerpo.
14. Vuelva a colocar la tapa de drenaje y reinstale la manguera de drenaje de la válvula de alivio de aire High Flow™ en caso de usarse.

#### E. LIMPIEZA DE LA VÁLVULA MANUAL DE ALIVIO DE AIRE HIGH FLOW™

1. Apague la bomba y desconecte cualquier control automático para garantizar que el sistema no se pone en marcha inadvertidamente durante los trabajos de mantenimiento.
2. Abra la válvula manual de alivio de aire high flow™ hasta que encaje en la posición totalmente abierta, después, espere hasta que se haya aliviado toda la presión.
3. Con la válvula de alivio fija al tanque del filtro, retire las aletas de cierre y saque el vástago de la válvula y el conjunto de la cubierta con un movimiento de giro en sentido antihorario y de elevación, véase la figura 2.
4. Limpie la suciedad del vástago y del cuerpo de la válvula. Verifique que el paso de aire del tanque del filtro está abierto insertando una broca (de 8 mm) a través del cuerpo de la válvula.
5. Verifique que la junta tórica se encuentra en buenas condiciones, correctamente colocada y lubricada con un lubricante a base de silicona.
6. Vuelva a colocar el vástago de la válvula y el conjunto de la cubierta con un movimiento hacia abajo y en sentido horario hasta que encaje en su posición.

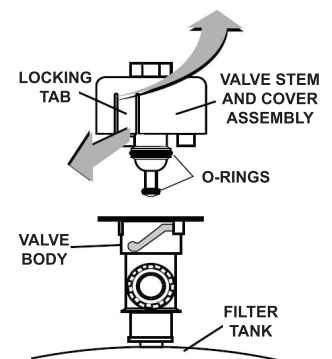


Figure 2

## Sección III.

### RESOLUCIÓN DE PROBLEMAS

A. El aire que entre en el filtro es peligroso y puede hacer que reviente la tapa. Corrija cualquier situación, dentro de su sistema de filtrado, que permita la entrada de aire en el sistema. Algunas formas habituales de identificar el aire que entra en el sistema:

- ▶ Nivel de agua bajo; se nota como le falta agua al succionador con la bomba funcionando. Añada agua a la piscina o spa.
- ▶ Las burbujas de aire o el bajo nivel de agua en el filtro de pelos y pelusas de la bomba se deben a: bajo nivel de agua,

cestillo del succionador atascado, manguera del limpiador de succión rota, fugas en el filtro de pelos y pelusas de la bomba o fugas en la línea de succión de la bomba.

- ▶ Las burbujas de aire que proceden de las líneas de retorno de agua que van a la piscina o spa con la bomba funcionando.
- ▶ Se descarga aire a través de válvula de alivio de aire, situada en la parte superior del filtro, cuando la válvula se abre con la bomba funcionando.

- B. Hasta que el agua introducida inicialmente en la piscina se haya filtrado completamente, es normal que haya ciclos de filtrado cortos entre las fases de limpieza. En la mayoría de los casos, los propietarios de las piscinas quedan consternados por el color y la apariencia desagradables del agua en una piscina que se llena por primera vez. El polvo de los revestimientos puede ser responsable de que se produzcan ciclos de filtrado cortos, requiriendo frecuentes limpiezas.
- C. Si la presión del manómetro disminuye, compruebe primero el cestillo del succionador y el de la bomba por si están sucios. Si los cestillos están limpios, apague la bomba y desconecte todos los controles automáticos. Después, gire con sus dedos el eje del motor. Si gira libremente, se deberá desmontar la bomba y comprobar el impulsor para ver si está atascado. Si no está congelado ni atascado, entonces es la línea la que está obstruida entre la piscina y la bomba.
- D. El manómetro es una parte muy importante del sistema de filtrado. Es el primer indicador de cómo está funcionando el sistema. Mantenga su manómetro en buenas condiciones de trabajo. Compruebe el funcionamiento de su manómetro de la siguiente forma:
- I. El manómetro debería regresar a cero (0) cuando se apaga el sistema y se alivia la presión.
  - II. El manómetro debería indicar presión cuando el sistema se encuentra funcionando.
  - III. Se deben poder leer las indicaciones del manómetro y no debe estar dañado de ninguna manera.
  - IV. Sustituya el manómetro si no cumple ninguno de los requisitos arriba indicados.

## ITALIANO

### Sezione I.

#### INSTALLAZIONE DEL FILTRO

1. Il filtro va montato su una lastra di cemento piana. Collocare il filtro in modo che l'operatore possa vedere le istruzioni, le avvertenze e il manometro. Collocarlo inoltre in modo che i raccordi delle tubature, la valvola di controllo e il foro di scolo risultino situati in una posizione comoda e accessibile per gli interventi di manutenzione e per la preparazione per l'inverno.
2. Installare i controlli elettrici (ad. es. interruttori di accensione/spengimento, sistemi di controllo con temporizzatore, ecc.) ad almeno 2 m (5 piedi) dal filtro. Ciò consentirà all'operatore di mantenere una distanza sufficiente dal filtro durante l'avvio del sistema.
3. Assicurare uno spazio libero sufficiente intorno al filtro per consentire di verificare visivamente se il morsetto è correttamente montato.
4. Assicurare spazio sufficiente sopra il filtro per poter togliere il coperchio del filtro a scopo di pulizia e manutenzione. Tale distanza varia a seconda del modello di filtro in uso.



**Rischio di scossa elettrica o elettrocuzione. Collocare il filtro e la valvola di sicurezza manuale High Flow™ in modo da poter dirigere in sicurezza il drenaggio dell'acqua e l'aria o l'acqua spurgate. L'acqua scaricata da un filtro collocato in modo non corretto può creare rischi di natura elettrica con conseguenti gravi lesioni personali e danni materiali.**

5. Quando si monta la valvola di sicurezza manuale High Flow™, utilizzare solo la guarnizione circolare; non è necessario impiegare sostanze per sigillare la filettatura. Collocare il filtro in modo da poter dirigere in sicurezza il drenaggio dell'acqua. Ruotare la valvola per dirigere in sicurezza l'aria o l'acqua spurgata. L'acqua scaricata da un filtro collocato in modo non corretto può creare rischi di natura elettrica e danni materiali.
6. Realizzare tutti i raccordi idraulici in conformità alle norme idrauliche ed edilizie locali. I raccordi idraulici del filtro sono provvisti di una guarnizione circolare. Per le guarnizioni circolari utilizzare solo lubrificante a base di silicone.
7. La base di questo filtro è provvista di due (2) mozzi di montaggio per ancorare il filtro al cemento.
8. La pressione di esercizio massima del filtro è di 3,5 bar. Non esporre il filtro a pressioni superiori a tale valore, neppure quando si svolgono prove di pressione idrostatiche. Le pressioni superiori ai 3,5 bar possono far saltare il coperchio causando lesioni gravi, morte o danni materiali.

Quando si svolgono prove di pressione idrostatiche o quando si svolgono prove alla ricerca di perdite esterne dell'intero sistema idraulico e di filtraggio, assicurarsi che la pressione massima cui viene esposto il sistema di filtraggio non superi la pressione di esercizio massima di nessuno dei componenti che rientrano nel sistema. Nella maggior parte dei casi, la pressione massima è indicata su ciascun componente del sistema.

In caso di dubbi circa la pressione cui verrà esposto il sistema, montare un dispositivo di scarico della pressione o un pressostato omologati dalla ASME nel sistema di ricircolo dei componenti del sistema.

### Sezione II.

#### FUNZIONAMENTO DEL FILTRO



**Este filtro funciona a alta presión. Al realizar el mantenimiento de cualquiera de los componentes del circuito (p. ej.: anillo de cierre, bomba, filtro, válvulas, etc.), puede entrar aire en el sistema y presurizarse. El aire presurizado puede hacer estallar la tapa, lo que puede causar serios daños personales, la muerte o daños materiales. Para evitar este potencial peligro, siga estas instrucciones.**

1. Antes de reposicionar las válvulas y antes de comenzar el montaje, desmontaje o ajuste del anillo de cierre o de cualquier otro servicio del circuito: (a) apague la bomba y desconecte cualquier control automático para garantizar que no se arranque el sistema inadvertidamente durante los trabajos de mantenimiento; (b) abra la válvula de alivio de aire; y (c) espere hasta que se alivie toda la presión; el manómetro debe indicar (0).
2. Cada vez que instale el anillo de cierre del filtro, siga exactamente las instrucciones de instalación del anillo de cierre del filtro.

3. Una vez completados los trabajos de mantenimiento en el circuito, siga exactamente las instrucciones de arranque del sistema.
4. Mantenga el circuito en condiciones apropiadas. sustituya de inmediato las piezas desgastadas o dañadas (p. ej.: anillo de cierre, manómetro, válvula de alivio, juntas tóricas, etc.)
5. Asegúrese de que el filtro se encuentra correctamente montado y posicionado de acuerdo con las instrucciones proporcionadas.

#### A. INFORMAZIONI GENERALI

1. Il filtro funziona sotto pressione. Se l'anello di chiusura è montato correttamente e viene fatto funzionare senza aria nel sistema idrico, il filtro funzionerà in sicurezza.
2. Il manometro costituisce l'indicazione principale riguardo al funzionamento del filtro. Mantenere il manometro in buone condizioni di funzionamento.



**Il filtro è un elemento meccanico: non manometterlo, non tentare di smontarlo né di regolarlo altrimenti, a meno che non se comprenda pienamente il funzionamento. La scorretta manipolazione dell'attrezzatura può essere causa di lesioni gravi o morte. Rivolgersi ad un tecnico specializzato nella manutenzione di piscine per ottenere assistenza nella manutenzione.**

3. Pulire il filtro quando la pressione indicata supera di 0.8-1 pressione iniziale originale. L'indicazione della pressione del filtro aumenta quando il filtro rimuove lo sporco dalla piscina. Tuttavia, questo accumulo di pressione varia in funzione dell'uso, della temperatura, delle condizioni atmosferiche ecc.

La pressione iniziale originale è \_\_\_\_\_.

Bisogna pulire le cartucce del filtro a \_\_\_\_\_.

#### B. ISTRUZIONI PER IL MONTAGGIO DELL'ANELLO DI CHIUSURA

È necessario attenersi scrupolosamente a queste istruzioni per evitare che il coperchio salti durante il riavvio del sistema o il successivo funzionamento.

1. Completare i seguenti passi prima di qualsiasi intervento sugli elementi del sistema di ricircolo (ad es. anello di chiusura, pompa, filtro, valvole, ecc.).
  - a. Spegnerne la pompa e disattivare i controlli automatici per assicurarsi che il sistema non si avvii inavvertitamente durante la manutenzione.
  - b. Aprire la valvola di sicurezza manuale High Flow™.
  - c. Attendere lo scarico completo della pressione. Non tentare mai di montare, smontare o regolare l'anello di chiusura del filtro in presenza di pressione all'interno del filtro.

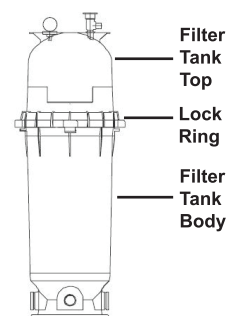


**Il filtro funziona ad alta pressione. quando si sottopongono a manutenzione gli elementi del sistema di ricircolo (ad es. anello di chiusura, pompa, filtro, valvole, ecc.), l'aria può entrare nel sistema e pressurizzarsi. l'aria pressurizzata può far saltare il coperchio causando lesioni gravi, morte o danni materiali. per evitare questo rischio potenziale, seguire queste istruzioni.**

2. Assicurarsi che la guarnizione circolare sia in posizione nella metà inferiore del serbatoio. Collocare il coperchio del filtro sulla metà inferiore del serbatoio assicurandosi che poggia completamente e saldamente su di essa, vedere Figura 1.
3. Collocare l'anello di chiusura sul coperchio del serbatoio e centrarlo sulle filettature del corpo del serbatoio. Girare l'anello di chiusura in senso orario finché le linguette di sicurezza scattano e l'anello di chiusura tocca i punti di arresto del corpo. Non tentare di serrare eccessivamente l'anello di chiusura dopo che ha toccato i punti di arresto.
4. Seguire le istruzioni per il riavvio del sistema nella sezione C.

#### C. ISTRUZIONI PER IL RIAVVIO DEL SISTEMA

1. Aprire la valvola di sicurezza manuale High Flow™ finché scatta in posizione di apertura completa (è necessario solo un quarto di giro in senso antiorario). L'apertura di questa valvola causa la fuoriuscita rapida dell'aria presente nel filtro.
2. Mantenersi distanti dal serbatoio del filtro, quindi avviare la pompa.
3. Quando compare un flusso costante d'acqua, chiudere la valvola di sicurezza manuale High Flow™.
4. Se si verifica una delle condizioni seguenti, il sistema non sta funzionando correttamente.
  - a. Non compare un flusso compatto d'acqua entro 30 secondi da quando l'acqua ha riempito il cestello di entrata della pompa.
  - b. Il manometro indica pressione prima che compaia il flusso d'acqua.



In presenza di una di queste due condizioni, spegnere immediatamente la pompa, aprire le valvole della tubazione di ritorno dell'acqua per scaricare la pressione e pulire la valvola di sicurezza. Pulizia della valvola di sicurezza manuale High Flow™.

#### D. PULIZIA DEL FILTRO

1. Spegnerne la pompa e disattivare i controlli automatici per assicurare che il sistema non si avvii inavvertitamente durante la manutenzione.
2. Aprire la valvola di sicurezza manuale High Flow™ (e la valvola o il tappo di scarico dei rifiuti, se il sistema ne è provvisto).
3. Rimuovere capelli e altri peli dal coperchio del filtro e pulire il cestello. Collocare nuovamente il cestello e fissare il coperchio.
4. Scollegare il flessibile di drenaggio per lo scarico dell'aria, se montato.
5. Togliere l'anello di chiusura premendo le linguette di sicurezza su entrambi i lati dell'anello e ruotandolo in senso antiorario, quindi togliere il coperchio del serbatoio.
6. Estrarre l'assieme afferrando le maniglie di sollevamento con le mani e tirandolo verso l'alto.



7. Estrarre l'elemento cartuccia dal tubo di supporto centrale.
8. Servendosi di un tubo flessibile da giardino con ugello, dirigere un getto d'acqua sull'elemento cartuccia per rimuovere e lavare via i corpi estranei accumulati. Per una pulizia approfondita è possibile spruzzare l'acqua sia sulla parte esterna che sulla parte interna dell'elemento cartuccia.
9. Durante il lavaggio, girare l'elemento cartuccia più volte per pulirlo a fondo.
10. Pulire e rimuovere lo sporco dall'interno del serbatoio del filtro, nonché dalla guarnizione circolare O-ring del corpo del serbatoio e dalla filettatura della stessa.
11. Ricollocare l'elemento cartuccia pulito sul tubo di supporto e montare l'assieme nel corpo del serbatoio del filtro, allineando la freccia del tubo di supporto rispetto al foro di entrata del filtro e assicurandosi che sia saldamente in sede. Sincerarsi che lo schermo di sicurezza interno sia fissato alla parte superiore del tubo di supporto dell'elemento.
12. Ricollocare il coperchio del serbatoio sul corpo del serbatoio assicurandosi che poggia completamente e saldamente su quest'ultimo.
13. Collocare l'anello di chiusura sul coperchio del serbatoio e, centrando l'anello di chiusura sulle filettature del corpo del serbatoio, girarlo in senso orario finché le linguette di sicurezza scattano e l'anello di chiusura tocca i punti di arresto del corpo. Non tentare di serrare eccessivamente l'anello di chiusura dopo che ha toccato i punti di arresto.
14. Ricollocare il tappo di scarico e installare di nuovo il flessibile di scarico della valvola di sicurezza manuale High Flow™, se utilizzato.

#### E. PULIZIA DELLA VALVOLA DI SICUREZZA MANUALE HIGH FLOW™

1. Spegnerla pompa e disattivare i controlli automatici per assicurare che il sistema non si avvii inavvertitamente durante la manutenzione.
2. Aprire la valvola di sicurezza manuale high flow™ finché scatta in posizione di apertura completa, quindi attendere lo scarico completo della pressione.
3. Con la valvola di sicurezza fissata al serbatoio del filtro, tirare le linguette di bloccaggio e togliere lo stelo della valvola e l'assieme coperchio girando in senso antiorario e sollevando, come da figura 2.
4. Togliere la sporcizia dallo stelo e dal corpo della valvola. Verificare che il passaggio dell'aria del filtro sia aperto inserendo una punta di trapano (da 8 mm) attraverso il corpo della valvola.
5. Verificare che la guarnizione circolare sia in buone condizioni, correttamente posizionata e lubrificata con un lubrificante a base di silicone.
6. Montare nuovamente lo stelo della valvola e il gruppo di copertura con un movimento verso il basso e in senso orario finché scatta in posizione.

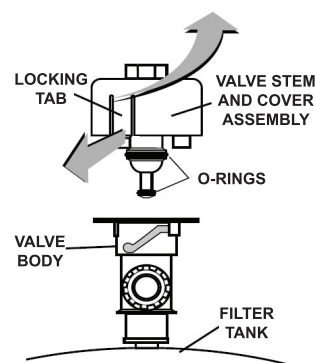


Figure 2

## Sezione III.

### LOCALIZZAZIONE DEI GUASTI

A. L'entrata di aria nel filtro è pericolosa e può far saltare il coperchio. Correggere eventuali condizioni del sistema di filtraggio che consentano all'aria di entrare nel sistema. Alcuni modi comuni di rilevare l'entrata di aria nel sistema:

- ▶ Basso livello di acqua nella piscina o nello spa - lo skimmer non ha acqua sufficiente con la pompa in funzione. Aggiungere acqua alla piscina o allo spa.
- ▶ Le bolle d'aria o il basso livello d'acqua nel filtro per capelli e altri peli della pompa sono causati da: basso livello dell'acqua, cestello dello skimmer intasato, flessibile dell'aspiratore spaccato, perdite nel coperchio del filtro dei capelli e altri peli o perdite nel condotto di aspirazione della pompa.
- ▶ Per le bolle d'aria che provengono dalle tubazioni di ritorno dell'acqua ed entrano nella piscina o nello spa con la pompa in funzione, vedere sopra
- ▶ Se l'aria viene scaricata dalla valvola di sicurezza situata nella parte superiore del filtro quando la valvola è aperta e la pompa è in funzione, vedere sopra.

B. Fino a quando l'acqua inizialmente versata nella piscina non è stata completamente filtrata, sono normali brevi cicli di filtraggio tra una pulizia e l'altra. Spesso i proprietari delle piscine si lamentano del colore e dell'aspetto indesiderato dell'acqua nelle piscine appena riempite. La polvere di gesso può essere responsabile di cicli di filtraggio brevi che richiedono una pulizia frequente.

C. Se la pressione del manometro scende, controllare innanzitutto se il cestello dello skimmer e il cestello della pompa sono sporchi. Se i cestelli sono puliti, spegnere la pompa e disattivare eventuali controlli automatici. Quindi girare l'albero motore con le dita. Se gira senza ostacoli, occorre smontare la pompa e controllare se la girante è intasata. Se non è congelata o intasata, vi è un'ostruzione nella tubazione tra la piscina e la pompa.

D. Il manometro è un elemento importante del sistema di filtraggio. Costituisce l'indicazione principale riguardo al funzionamento del filtro. Mantenere il manometro in buone condizioni di funzionamento. Controllare il funzionamento del manometro come segue:

- I. Quando il sistema è spento e la pressione è scaricata, il manometro deve tornare a zero (0).
- II. Il manometro deve indicare pressione quando il sistema è in funzionamento.
- III. Il manometro deve essere leggibile e non deve presentare danni di alcun tipo.
- IV. Sostituire il manometro se non soddisfa i requisiti di cui sopra.





**SAVE THESE INSTRUCTIONS !**



PENTAIR AQUATIC SYSTEMS

INDUSTRIEPARK WOLFSTEE, TOEKOMSTLAAN 30, 2200 HERENTALS - BELGIUM, [WWW.PENTAIRPOOLEUROPE.COM](http://WWW.PENTAIRPOOLEUROPE.COM)

Copyright - Limited License: except as specifically permitted herein, no portion of the content on this document may be reproduced in any form or by any mean without the prior written permission of Pentair International SRL.

Copyright - Eingeschränkte Lizenz: soweit hierin nicht ausdrücklich zugelassen, dürfen die Inhalte dieses Dokuments ohne vorausgehende schriftliche Genehmigung der Pentair International SRL weder ganz noch auszugsweise und in gleich welcher Form und mit welchen Mitteln vervielfältigt werden.

Copyright - Beperkte licentie: behalve zoals hierin specifiek toegestaan, mag geen enkel deel van de inhoud van dit document op om het even welke manier of hoe dan ook gereproduceerd worden zonder de voorafgaande schriftelijke toestemming van Pentair International SRL.

Copyright - Licence limitée: sauf expressément autorisé ci-après, aucune partie du contenu de ce document ne peut être reproduite sous toute forme ou par tout moyen sans la permission écrite préalable de Pentair International SRL.

Copyright - Licencia limitada: salvo en lo expresamente permitido en el presente documento, se prohíbe la reproducción total o parcial del mismo por cualquier medio sin la previa autorización por escrito de Pentair International SRL.

Copyright - Licenza limitata: se non indicato specificatamente di seguito, nessuna porzione del contenuto di questo documento può essere riprodotta in qualsiasi forma o con qualsiasi mezzo senza preventiva autorizzazione scritta di Pentair International SRL.